



# Engineers Club NEWS

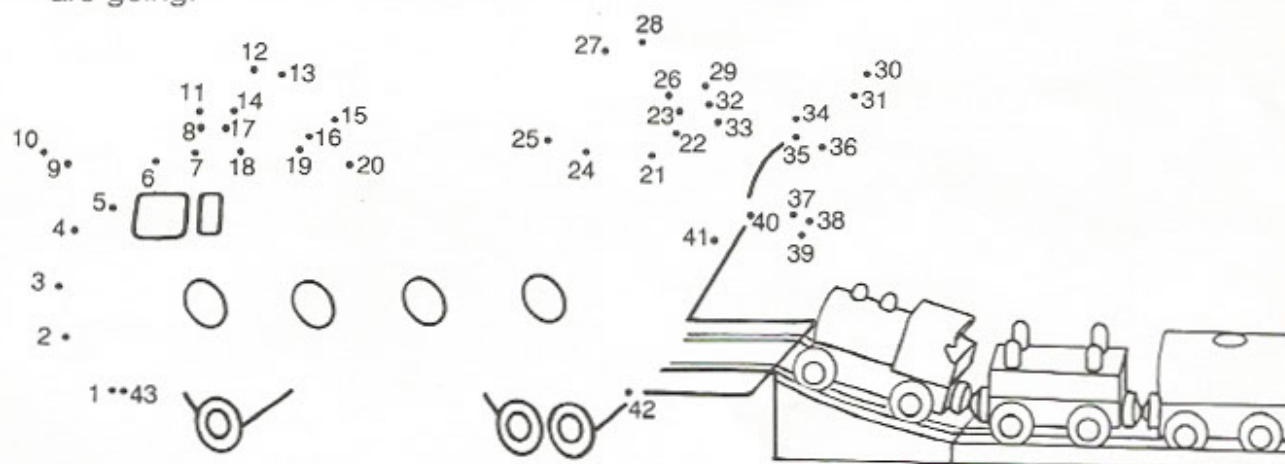
Volume 6 No. 1

800/558-6863

BRIO Scanditoy, Engineers Club, 6555 West Mill Road, Milwaukee, WI 53218

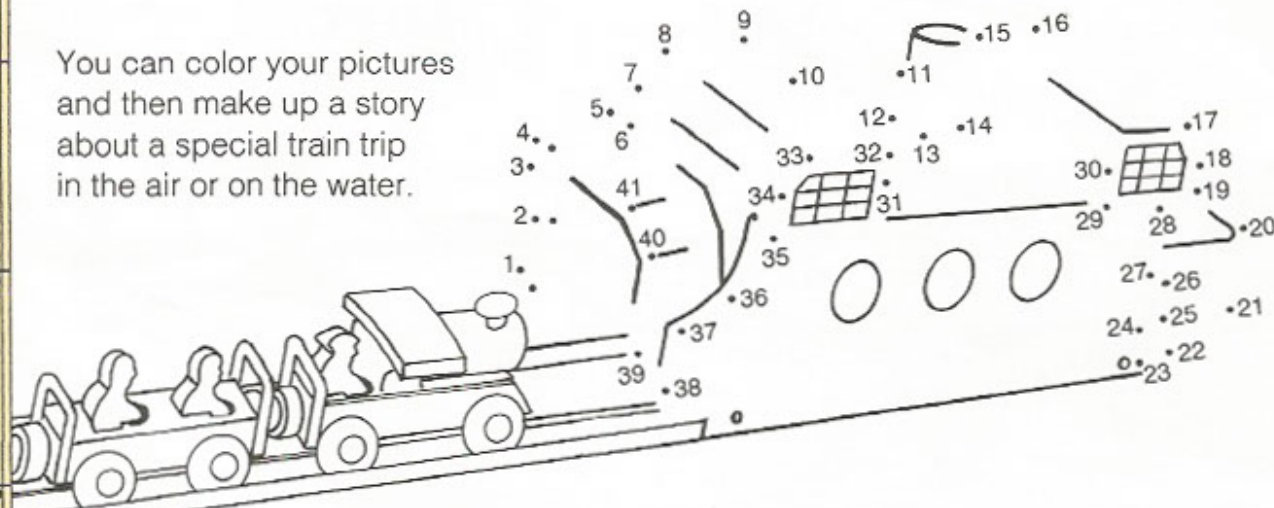
## Where are these trains going??

Trains usually run along tracks on the ground. But they sometimes go in the air or on the water. Connect the dots and fill in the blanks to find out where these trains are going.



This train is going in a \_\_\_\_\_.

You can color your pictures and then make up a story about a special train trip in the air or on the water.



This train is going on a \_\_\_\_\_.



# ESPECIALLY FOR BRIO ENGINEERS

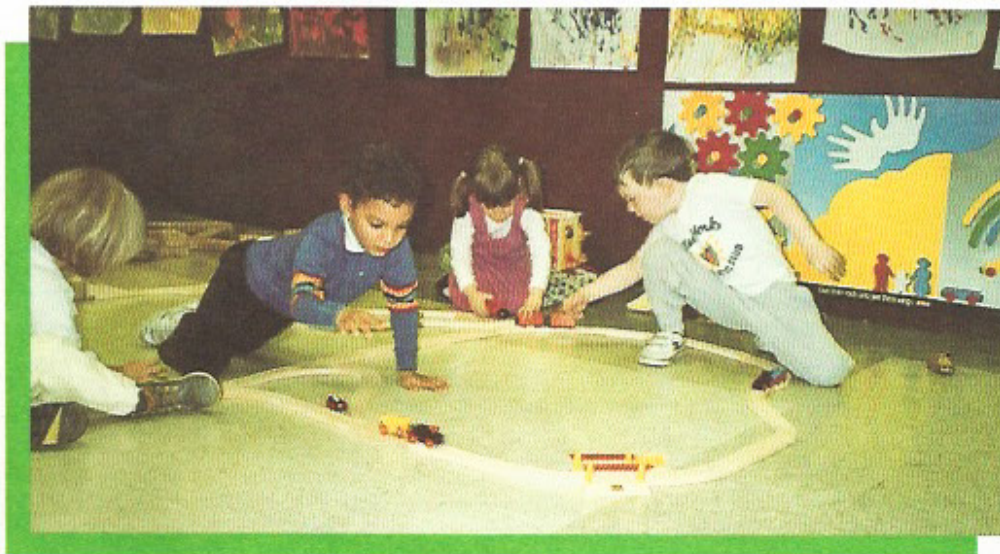
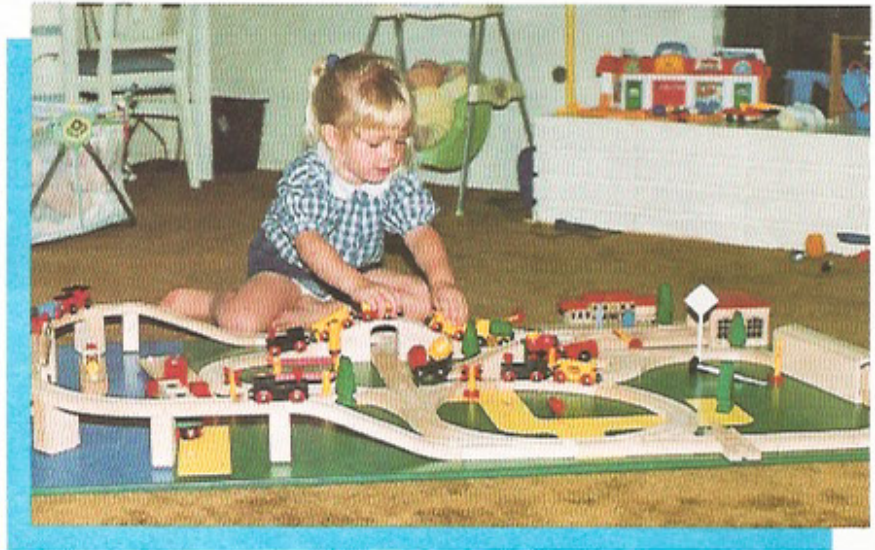


## Do you know . . .

- . . . that *Llanfairpwyllogwynygyllogerychwyrndrobwllllantysilogogoch* is a station in Wales with the world's longest name?
- . . . that the longest non-stop run is between Richmond, Virginia and Jacksonville, Florida. It is 659 miles long.
- . . . that the longest train ever was an American freight train with 500 wagons of coal. The train was almost 4 miles long.
- . . . that the longest main line tunnel on land is the Simplon in the Alps between Italy and Switzerland. It is over 12 miles long.
- . . . that the longest tunnel under the ocean is between the island of Hokkaido and Honshu in Japan. It is 22 miles long.

## At home . . . and at school:

**K**elly is playing at her home in California with her BRIO trains. Kelly is three years old and her favorite train cars are the caboose and locomotive.



**T**hese children are playing with the BRIO Railway at the Rocking Horse Nursery School in New York. They like to put the track together and run the trains around. Sometimes they add blocks to their layouts.

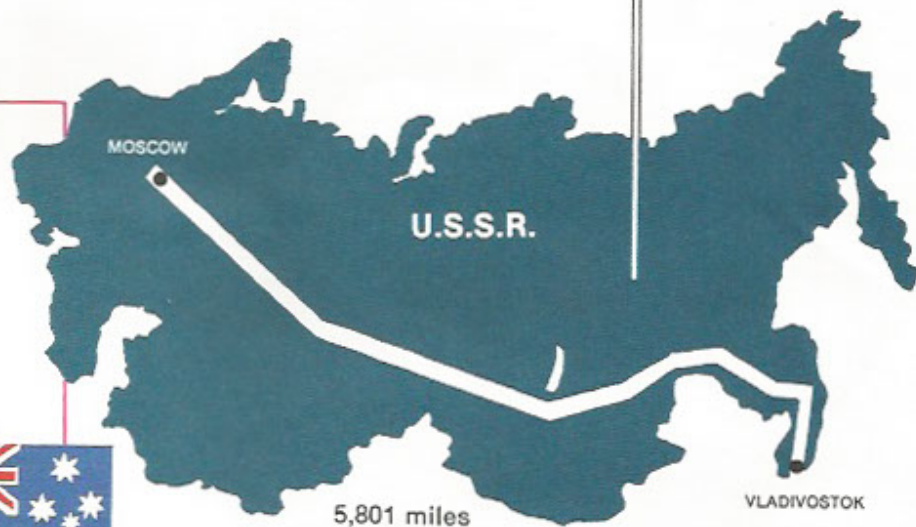




## 3 of the "longests" on 3 different continents

### The 'longest' railway.

The Trans Siberia Railway crosses the USSR from Moscow to Vladivostok. It is 5,801 miles long and takes a full week. The train that uses the railroad is named *The Russia*. Can you find these places along the way: Omsk, Irkutsk, Lake Baikal, Chita?



### The 'longest' straight stretch of track.

There is a 297 mile stretch of straight track in Australia. It goes across the Nullarbor Plain where there are no trees. It is part of the transcontinental railway that is 2,461 miles long between Perth and Sydney. Can you find these cities along the way: Melbourne, Adelaide?

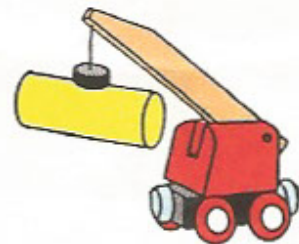
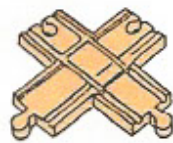


### The 'longest' railway bridge.

A railway bridge over 4 miles long crosses a big river in New Orleans. It is named the Huey P. Long Bridge. Can you guess the name of the river it crosses?

# MATCHING

Draw lines between  
the railway pieces  
that go  
together.



**BRIO** Engineers Club

Local Station Master

To BRIO Engineer

HERE'S YOUR NEWSLETTER

